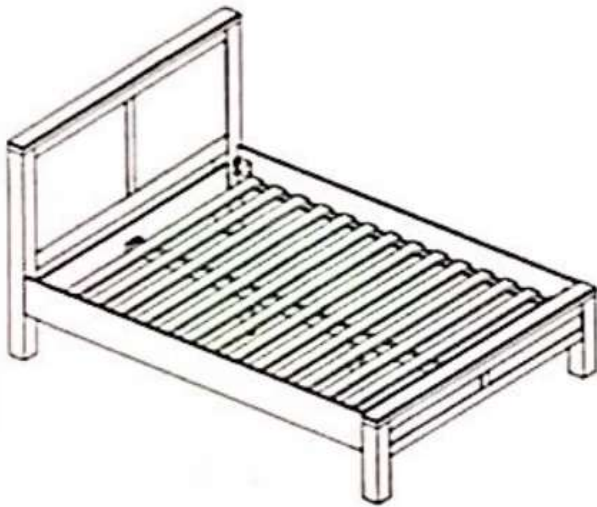

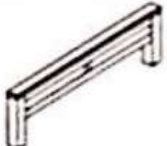











ASSEMBLY INSTRUCTIONS

QUEEN BED-FCVN31

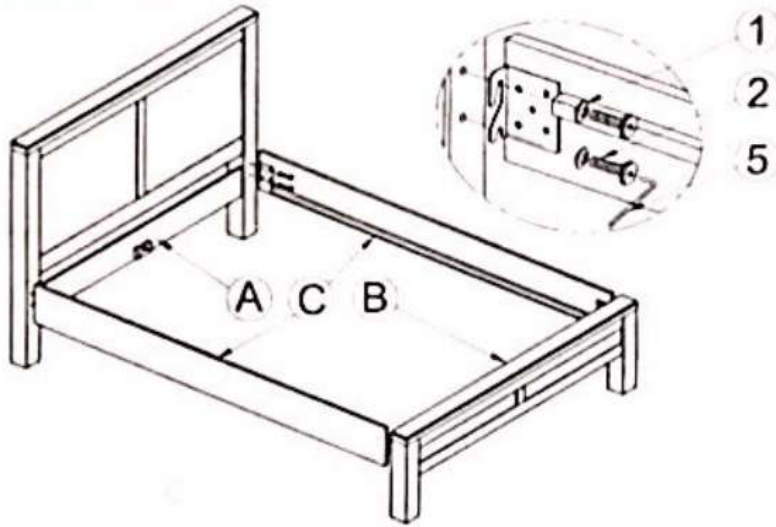
PICTURES	CODE		Q.TY
	A	 Head board	1
	B	 Foot board	1
	C	 Side rails	2
	D	 Supporting slats	1
	E	 Slat	1
	F	 Supporting bars	3



HARDWARES

CODE	PICTURES	SIZE	AMOUNT
1		Flat washer	8
2		Bolt M8 * 25mm	8
3		Bolt M6 * 50mm	3
4		Screw M4 * 30mm	30
5		Allen Key	1

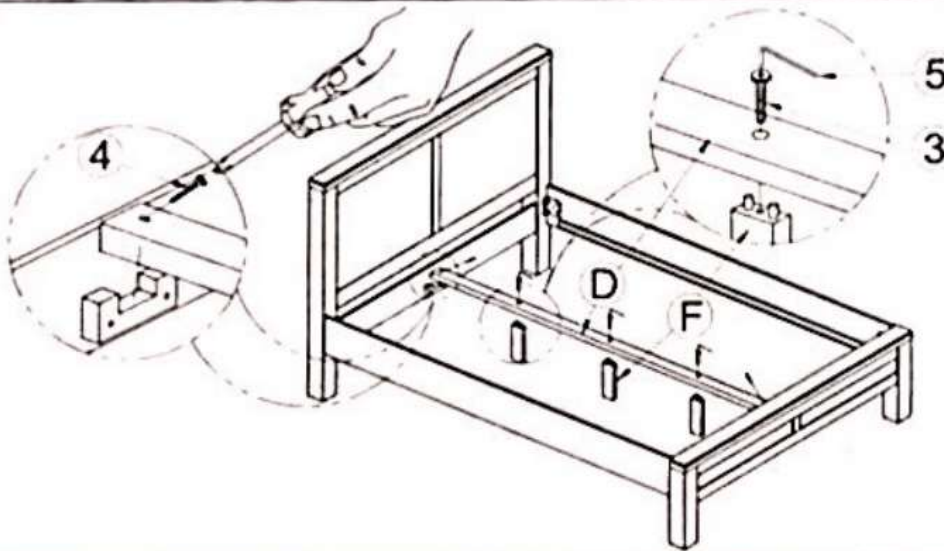
ASSEMBLY INSTRUCTIONS



QUEEN BED-FCVN31



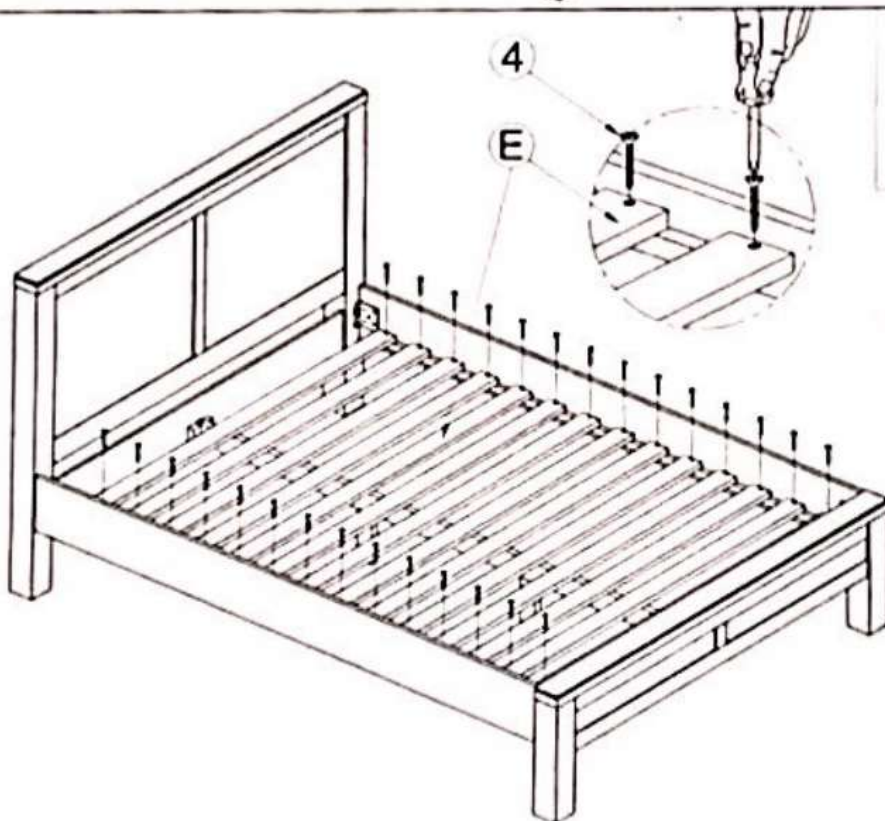
- 1  Flat washer 8Pcs
- 2  Bolt M8 * 25mm 8Pcs

STEP 1



- 3  Bolt M6 * 50mm 3Pcs
- 4  Screw M4 * 30mm 2Pcs

STEP 2



- 4  Screw M4 * 30mm 28Pcs

STEP 3